



ALMACENADORES DE HIELO MG MANGO

MARCA:

ICEMATIC

PROCEDENCIA:

ITALIA

FUNCIÓN:

Complemento para almacenar el hielo en cubicadoras que no traen almacenaje.

CARACTERÍSTICAS:

- Nuevo estilo elegante y contemporáneo.
- Incorpora un sistema antimicrobiano "Microban" para una mejor higiene.
- Aislamiento de poliuretano de alta densidad.
- El interior del contenedor hecho en polietileno y el exterior en acero inoxidable.
- Ajuste de los patas de 135 mm a 185 mm.
- El tubo de desagüe de la base gira en un radio de 360° para permitir para facilitar la conexión en cualquier posición.



Equipos y Servicios de Calidad
para la industria de Alimentos

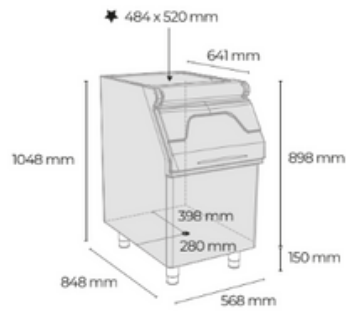
 citalisa.com
 316 876 6110
   

ALMACENADORES DE HIELO MG MANGO

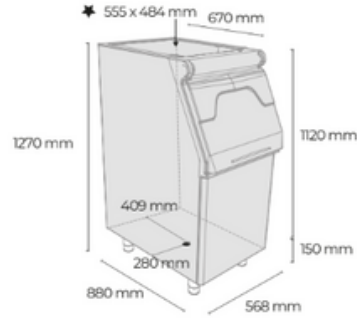
| Modelo | Volumen interno | Máxima capacidad de hielo | | Dimensiones | Peso |
|--------------|----------------------|---------------------------|----------|----------------------|-------|
| MG105 | 0,264 m ³ | 129 Kg* | 101 Kg** | 568 x 848 x 1048 mm | 36 Kg |
| MG155 | 0,340 m ³ | 168 Kg* | 132 Kg** | 568 x 880 x 1270 mm | 48 Kg |
| MG205 | 0,368 m ³ | 181 Kg* | 141 Kg** | 768 x 848 x 1048 mm | 43 Kg |
| MG255 | 0,496 m ³ | 243 Kg* | 191 Kg** | 770 x 880 x 1270 mm | 55 Kg |
| MG305 | 0,513 m ³ | 252 Kg* | 197 Kg** | 1081 x 824 x 968 mm | 48 Kg |
| MG405 | 0,830 m ³ | 406 Kg* | 319 Kg** | 1235 x 873 x 1270 mm | 73 Kg |
| MG505 | 0,970 m ³ | 478 Kg* | 375 Kg** | 1331 x 880 x 1270 mm | 77 Kg |

ALMACENADORES DE HIELO MG MANGO

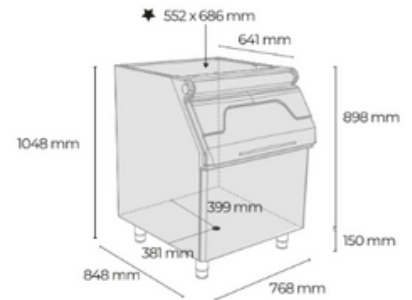
MG 105



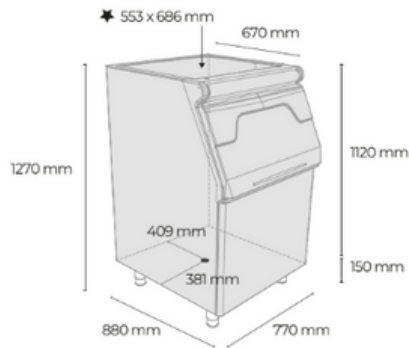
MG 155



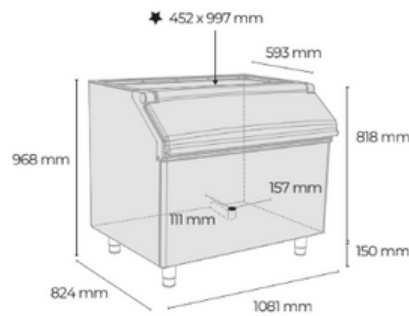
MG 205



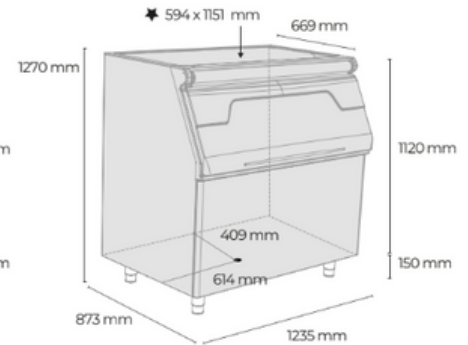
MG 255



MG 305



MG 405



MG 505

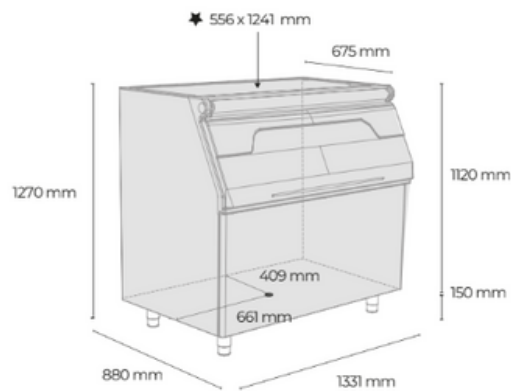













TABELLA ABBINAMENTO
FABBRICATORE / DEPOSITO

Compatibilità
macchina-deposito
non serve il coperchio

K...

Nome coperchio

* Incluso

| | DEPOSITI | MG 105 | MG 155 | MG 205 | MG 255 | MG 305 | | MG 405 | MG 505 | MB 500 | MB 700 | MB 1000 | MC 140 | MC 320 | MC 620 |
|----------------|--|--------------|--------------|------------|------------|--------|--|---------|---------|-------------|-------------|-------------|--------|--------|-------------|
| MODELLI | Kg /24 h | 129 | 168 | 181 | 243 | 252 | | 406 | 478 | 553 | 812 | 1068 | 210 | 391 | 759 |
| M 145 | 143 (A) 290 (W) 150 (A) 135 (W)  | | | KM 205-255 | KM 205-255 | | | | | | | | | | |
| M 195 | 212 (A) 205 (W) 210 (A) 200 (W)  | | | KM 205-255 | KM 205-255 | | | | | | | | | | |
| M 205 | 240 (A) 215 (W) 220 (A) 210 (W)  | | | | | KM 305 | | KFM 405 | KFM 505 | | | | | | |
| M 305 | 300 (A) 265 (W) 300 (A) 270 (W)  | | | | | KM 305 | | KFM 405 | KFM 505 | | | | | | |
| M 405 | 430 (A) 352 (W) 405 (A) 340 (W)  | | | | | KM 305 | | KFM 405 | KFM 505 | | | | | | |
| M 505 | 460 (A) 415 (W) 450 (A) 405 (W)  | | | | | KM 305 | | KFM 405 | KFM 505 | | | | | | |
| B 125 | 120 (A) 120 (W) 130 (A) 130 (W)  | *KFD 105-155 | *KFD 105-155 | KB 205-255 | KB 205-255 | KB 305 | | KFM 405 | KFM 505 | | | | | | |
| B 205 | 200 (A) 200 (W) 205 (A) 205 (W)  | *KFD 105-155 | *KFD 105-155 | KB 205-255 | KB 205-255 | KB 305 | | KFM 405 | KFM 505 | | | | | | |
| B 305 | 320 (A) 330 (W) 320 (A) 330 (W)  | KFC 105-155 | KFC 105-155 | KB 205-255 | KB 205-255 | KB 305 | | KFM 405 | KFM 505 | | | | | | |
| B 505 | 540 (A) 540 (W) 570 (A) 570 (W)  | | | KB 205-255 | KB 205-255 | KB 305 | | KFM 405 | KFM 505 | | | | | | |
| B 1005 | 1160 (A) 1100 (W) 1180 (A) 1180 (W)  | | | | | | | | | KB 1000 x 2 | KB 1000 x 2 | KB 1000 x 2 | | | KF 1000 x 2 |
| G 270 | 270 (A) 270 (W) | KFC 105-155 | KFC 105-155 | KB 205-255 | KB 205-255 | KB 305 | | KFM 405 | KFM 505 | | | | | | |
| G 470 | 470 (A) 470 (W) | | | KB 205-255 | KB 205-255 | KB 305 | | KFM 405 | KFM 505 | | | | | | |
| A 250 | 250 (A) | | | | | | | KA 405 | KA 505 | | | | | | |
| A 400 | 400 (A) | | | | | | | KA 405 | KA 505 | | | | | | |
| A 600 | 600 (A) | | | | | | | KA 405 | KA 505 | | | | | | |
| A 950 | 950 (A) | | | | | | | KA 405 | KA 505 | | | | | | |
| A 1500 | 1500 (A) | | | | | | | | | | | | | | |